

ST SERIES

Anatomical Drawing

Crankcase

- Foundry & Oxidation Technology
- Biggish heat sink with very Good heat dissipation

Checking valve components

- Stainless steel Poppet valve and spring
- Brass valve seat/easy to maintain

Piston connecting rod

- Aluminum alloy material
- High load intensity
- long service life

The crankshaft

- Hardening treatment & excellent durability

U-sgaoad Buna-N Material

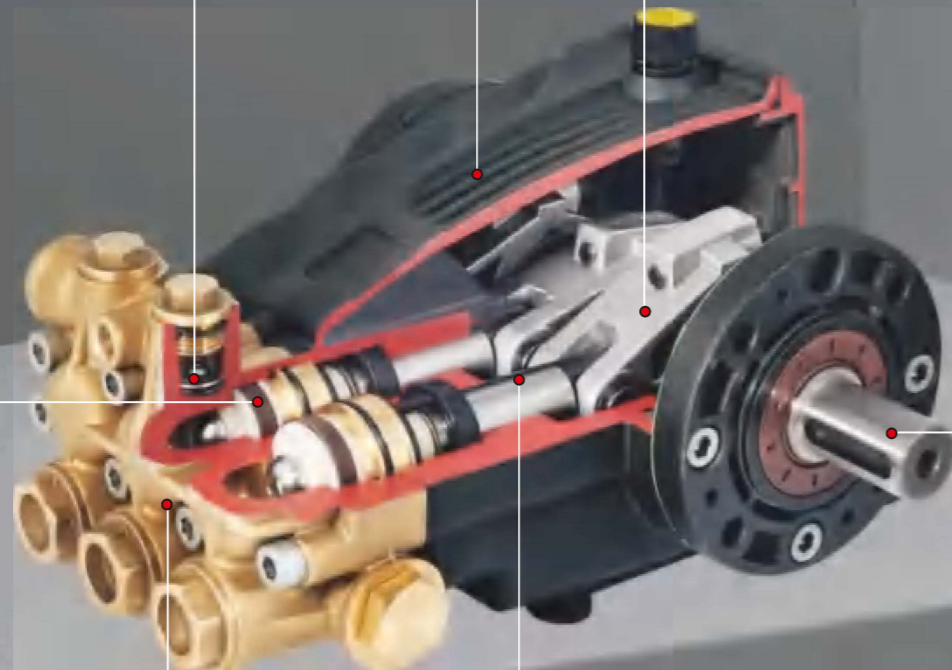
- Increased pump performance and seal

The pump head

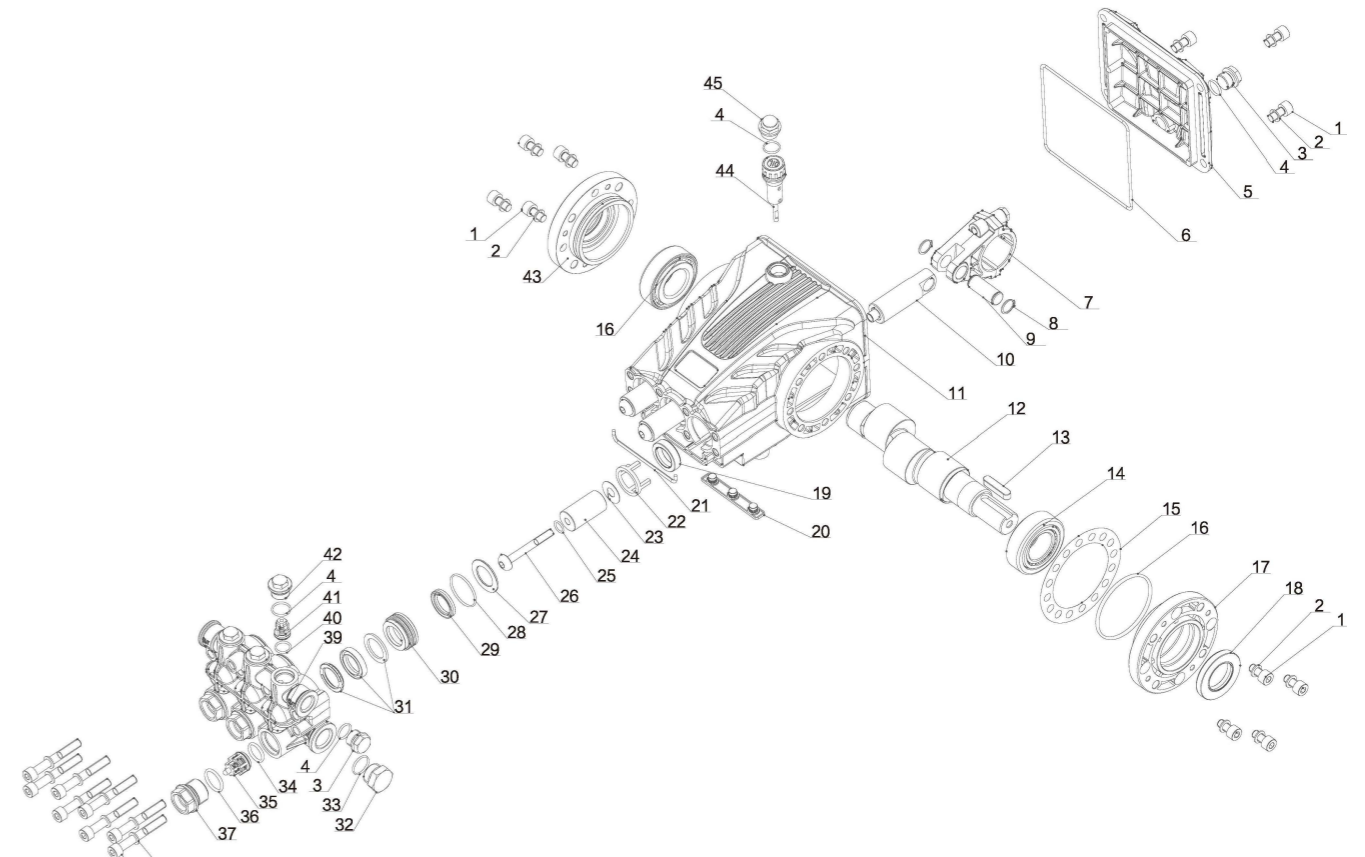
- High quality brass&high strength
- No pores and Operational safety

Plunger

- Solid ceramic plunger
- SST limit bol, long service life



ST Explosive Drawing



ST Detailed list

Item	Part Number	DescrIGTion	Item	Part Number	DescrIGTion	Item	Part Number	DescrIGTion
	590201006	Hexagon socket round head screw	16	590101102	O-ring	31	590104011	Main water seal set
2	590204103	Double-sided tooth gasket	17	501002030	DS Extended end flange	32	500010022	Plug
3	500010003	Plug	18	590108003	TC Framework oil seal	33	590101035	O-ring
4	590101019	O-ring	19	590107011	TC4 Framework oil seal	34	590101036	O-ring
5	501102020	ST Back cover	20	501102090	ST Crankcase bottom cover	35	501101040	ST Water inlet check valve
6	590101172	O-ring	21	590101068	O-ring	36	590101051	O-ring
7	501102030	ST Connecting rod assembly	22	501102110	ST22 Bracket	37	501101060	ST Water inlet check valve screw
8	590206001	External Circlip	23	501102060	ST Wiper	38	590201046	Hexagon socket round head screw
9	501102040	ST Plunger pin	24	501102070	ST22 Solid ceramic tube	39	501101010	ST22 Pump head
10	501102050	ST22 Plunger lever	25	590101113	O-ring	40	590101015	O-ring
11	501102010	ST22 Crankcase	26	501102080	ST Locking bolt	41	501101050	ST Outlet check valve
12	501102160	ST Crankshaft	27	501101030	ST22 Flat gasket	42	501101070	ST Outlet check valve screw
13	500011002	Flat key	28	590101073	O-ring	43	301041001	DS Side cover assembly
14	590303004	Tapered roller bearing	29	590105005	Aux water seal	44	301150101	BM Oil leveler assembly
15	501002080	DS Clearance adjusting gasket	30	501101020	ST22 Guide ring	45	101702010	Oil plug